



## HIGH-QUALITY, SECURE ACCESS TO PCS, SERVERS AND KVM SWITCHES

The Cat5 Reach DVI-HD KVM Extender provides 1080p/60fps HD video quality and protection while enabling remote access to DVI or VGA ports on PCs, servers or KVM switches. The remote user console (video, audio, and USB keyboard, mouse, and peripherals) can be up to 3,300 feet/1,000 meters away from the remote device. Dual console support enables both local and remote control.

### C5R-DVI-HD-TX:

Front View



Rear View



### C5R-DVI-HD-RX:

Front View



Rear View



### POWER ADAPTER:



## BENEFITS

- Access anywhere — Extend keyboard, video and mouse signals from 330 to 3,300 feet
- High Quality Video — VGA or DVI video supported. Maximum resolution up to 1920x1200@60Hz and 1920x1080@60fps (frames per second)
- Minimize Risk — Remotely access PCs, servers, or KVM switches located in separate, secure, non-harsh environments
- Compatibility and Flexibility — Supports a wide range of configurations and Raritan KVM switches. Also supports USB devices, such as touch screen, USB Printer, USB barcode reader, USB thumb drives

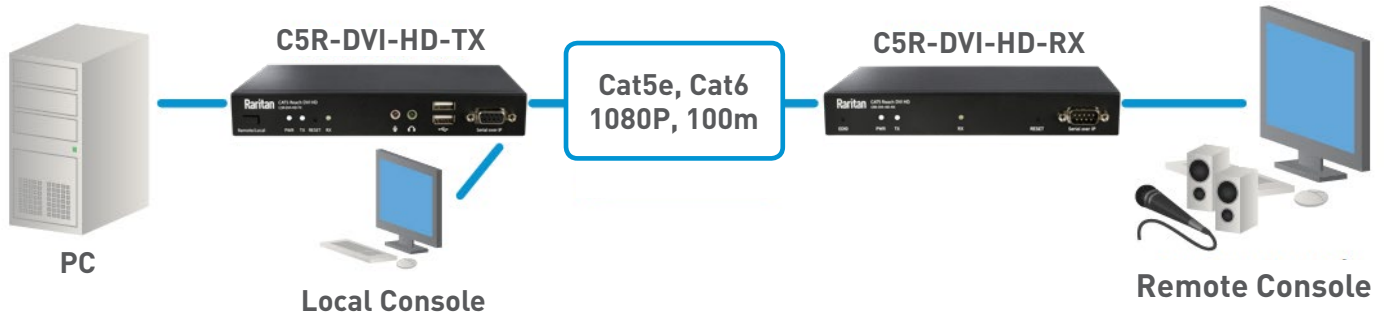
## FEATURES

- Supports DVI, VGA and audio output
- Superior 1920x1200@60Hz and 1080p@60fps video resolution
- Remote access up to 3,300 feet/1,000 meters
- Support for USB1.0 keyboard, mouse and USB2.0 peripherals such as thumb drives and card readers
- Connection of RS-232 peripheral (Serial) devices
- Push button control of local and remote access
- Support for audio speaker and microphone
- Video share by multiple receivers via Gigabit-Ethernet switches
- Configuration settings & firmware upgrade through Web User Interface
- Rackmount kit for mounting on the rack or shelf

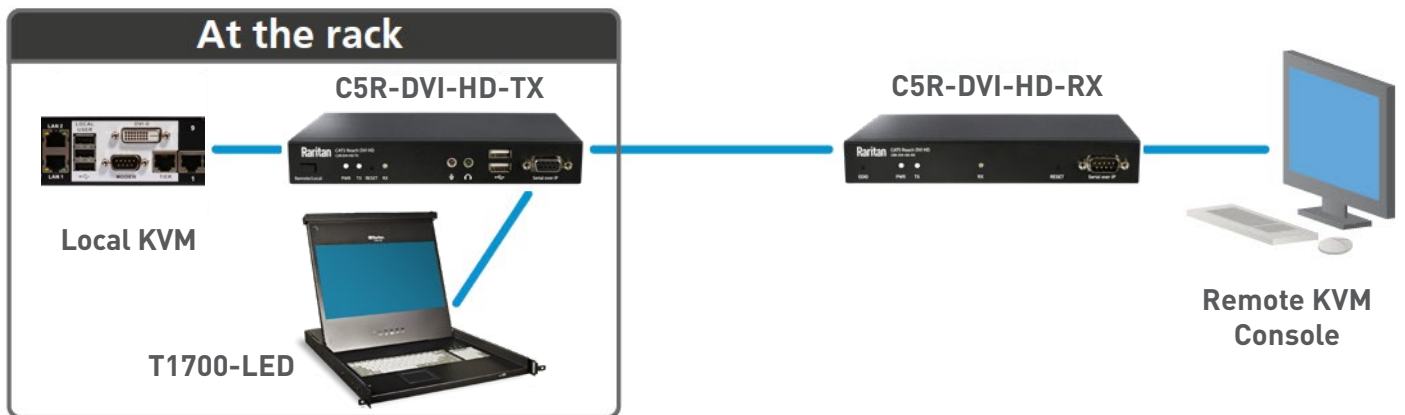
# EASY TO INSTALL. EASY TO USE. EASY TO MAINTAIN.

Cat5 Reach DVI-HD includes a transmitter and receiver pair for use with a Cat5 UTP cable. Plug a keyboard, video and mouse to the receiver and operate. The video quality is automatically adjusted — no manual adjustments are required. User can easily upgrade the firmware by the Web User Interface.

## 1. EXTENDED ACCESS TO PC OR SERVER



## 2. AT-THE-RACK AND EXTENDED LOCAL PORT KVM SWITCH

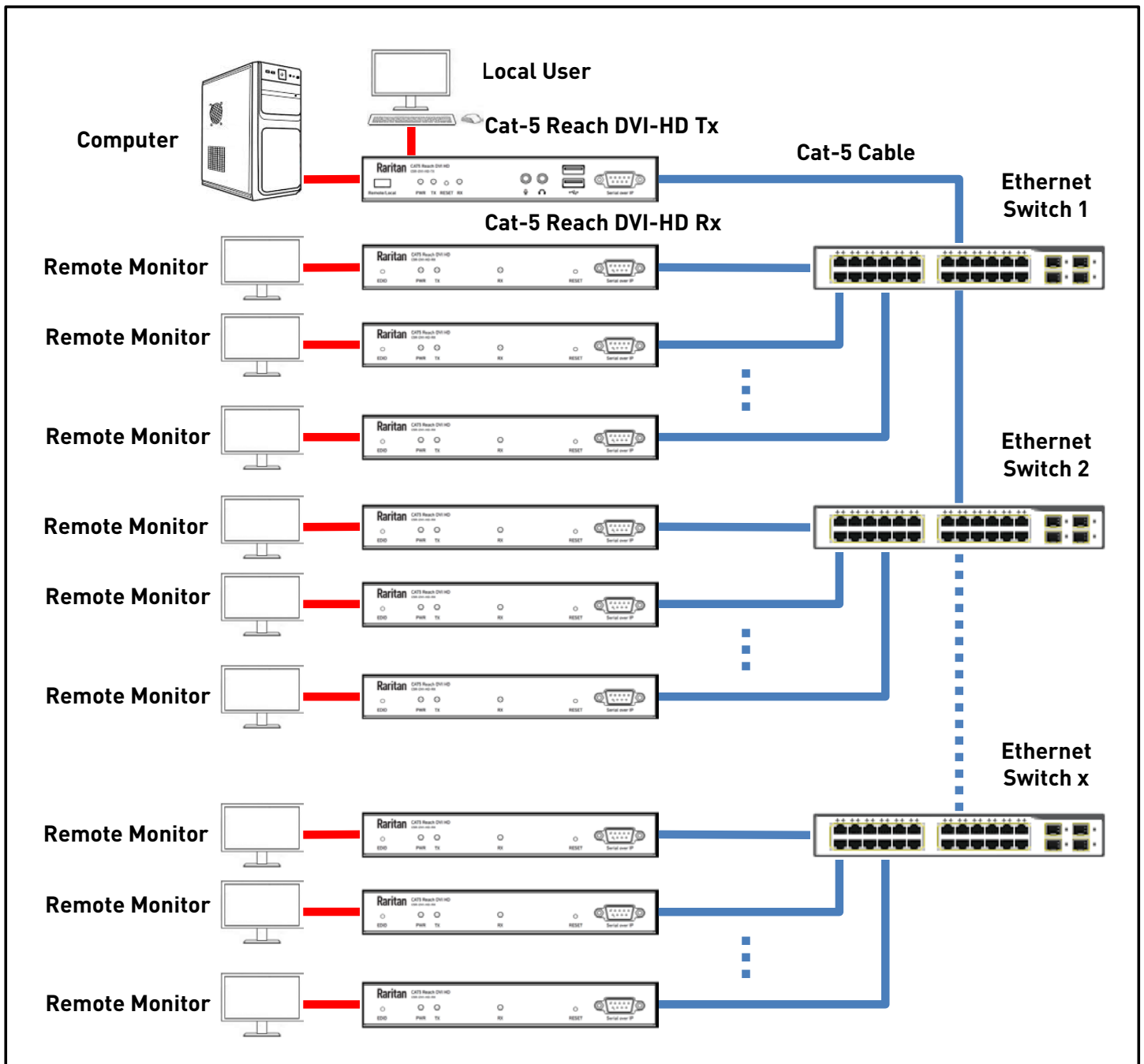


## 3. EXTENDED KVM SWITCH ACCESS TO PC/SERVER



# BROADCAST EXTENSION CONNECTION:

Use Gigabit Ethernet Switch (Jumbo Frame and IGMP v2) to work with C5R-DVI-HD-TX/RX to set up Broadcast Extension as illustrated below.



## CAT5 REACH DVI HD SPECIFICATIONS

Specifications		C5R-DVI-HD-TX Transmitter	C5R-DVI-HD-RX Receiver
Console Connectors	Video Out	1 x DVI-I	
	Serial Control Port (RS-232)	D-SUB 9pin, Female x 1 Baud Rate 115,200bps (default)	D-SUB 9pin, male x 1 Baud Rate 115,200bps (default)
Host Connection	Video Input	1 x DVI-I	N/A
USB Interface	Host	USB Type B, female x 1	N/A
	Device	USB Type A, female x 2 <ul style="list-style-type: none"> <li>■ Device x 2 (USB 2.0)</li> </ul> *Support Keyboard / Mouse.	USB Type A, female x 4 <ul style="list-style-type: none"> <li>■ Keyboard x 1 (USB 1.1)</li> <li>■ Mouse x 1 (USB 1.1)</li> <li>■ Device x 2 (USB 2.0)</li> </ul>
Link Port	RJ-45	CAT 5e/6 Max. Length: 100 meters (330 feet)	
Audio	Speakers	1 x 3.5mm Audio Jack Female (Pink)	
	Microphone	1 x 3.5mm Audio Jack Female (Green)	
LED Indicator		White LED: Power/TX/RX	White LED: Power/TX/RX
Push Button		Switching Sequence: Transmitter + Receiver (default), Receiver, Transmitter	N/A
DDC Support		Supports DDC, DDC2, DDC2B	
Resolution		<b>Support 16:9 resolutions</b> 1280x720(60Hz) / 1360x768(60Hz) / 1366x768(60Hz) / 1600x900(60Hz) / <b>1920x1080(60Hz) (max.)</b> <b>Support 4:3 resolutions</b> 800x600(60Hz) / 1024x768(60Hz) / 1152x864(60Hz) / 1280x960(60Hz) / 1680x1050(60Hz) / <b>1920x1200(60Hz) (max.)</b> <b>Other resolutions</b> 1440x900(60Hz) / 1280x768(60Hz) / 1280x1024(60Hz) / 1600x1024(60Hz)	
Operating Systems Supported		Windows, Linux, Mac OS/OSX	
Power Supply		Power adapter with lock mechanism and universal plug Input: 110-240V~, 50-60Hz, 0.6A Output: 5V, 3.0A	
Power Consumption		4.59 Watts	3.35 Watts
Dimension (L x W x H)		7.09" x 3.54" x 1.10"; 180 x 90 x 28 mm	
Product Weight		393 g	379 g
MTBF		TX: 57,774.34727 hrs. / RX: 70,240.8291 hrs.	
Operating Temperature		32° ~ 122° F ( 0° ~ 50° C )	
Storage Temperature		-4° ~ 140° F ( -20° ~ 60° C )	
Humidity		0% - 80% RH	
Warranty		Standard Two Years and Extended Warranties (optional)	

Let Raritan's experts guide you to a cost-effective way to remotely manage your DVI and VGA servers and KVM devices, at even longer distances.

Visit [www.raritan.com/Cat5ReachDVIHD](http://www.raritan.com/Cat5ReachDVIHD)  
or Call 1.800.724.8090 for more information.

©2018 Raritan Inc. All rights reserved. Raritan® is a registered trademarks of Raritan Inc. or its wholly-owned subsidiaries. All others are registered trademarks or trademarks of their respective owners. Raritan began developing KVM switches for IT professionals to manage servers remotely in 1985. Today, as a brand of Legrand, we are a leading provider of intelligent rack PDUs. Our solutions increase the reliability and intelligence of data centers in 9 of the top 10 Fortune 500 technology companies. Learn more at [Raritan.com](http://Raritan.com) V1259

**Raritan**  
A brand of  **legrand**